





OTTEVANGER
PROCESS SOLUTIONS

Rotary Dischargers

Technical Datasheet



ATEX motor 

Stainless steel housing
and rotor 

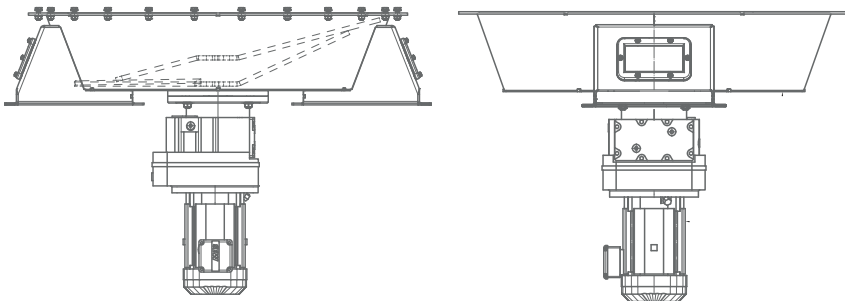
Multiple outlet 

Rotary Dischargers

Rotary dischargers are highly suitable for the discharging of powders or granules with poor flow characteristics from bins and silos.

They can also be used to provide regular feed to processing machines or weighing hoppers.

The structure consists of a fully enclosed cylindrical steel housing with a flange for securing the discharger to the bin outlet. The motor reducer, which is attached to the base with a flange and drives the rotor, is fitted with specially shaped blades. An electro-pneumatically operated discharge slide is provided for products with a tendency to discharge in an uncontrolled manner.



Type	Drive (kW)	RPM
500*	2,2	22
930	3	11
1200	4	16
1500	7,5	13

* straight walls instead of beveled

Features

- ✓ Stainless steel housing and rotor
- ✓ ATEX motor
- ✓ Multiple outlet

